

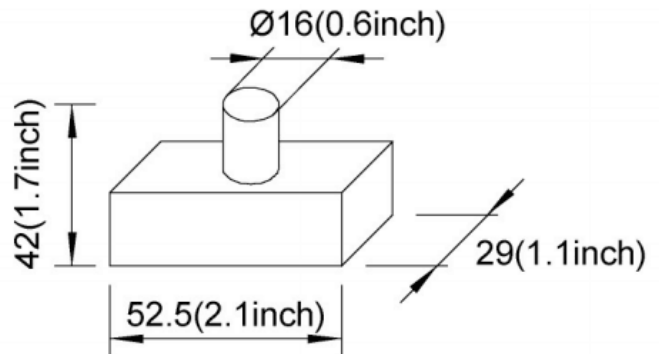
120V



PC-BP is a dusk-to-dawn photocell light switch with input voltage of 120VAC. It comes ready to mount, with a 1-gang brushed aluminum cover plate and gasket. It conforms to UL standard 773A.

Applications:

- Mount on 1-Gang weatherproof boxes
- 1-Gang in-wall switch boxes



PC-BP

Voltage	120V AC, 50/60Hz
Rated Load	Tungsten - 500W Ballast - 850VA
Power Consumption	1.2W Max.
On/Off Levels	10~20 Lx, On (Dusk) / 30~60 Lx, Off (Dawn)
Reaction Time	30 Seconds
Detection Angle	180°
Operating Temperature	-40°F ~ 158°F
Wire Length	7" AWG#18
IP Rating	IP54

